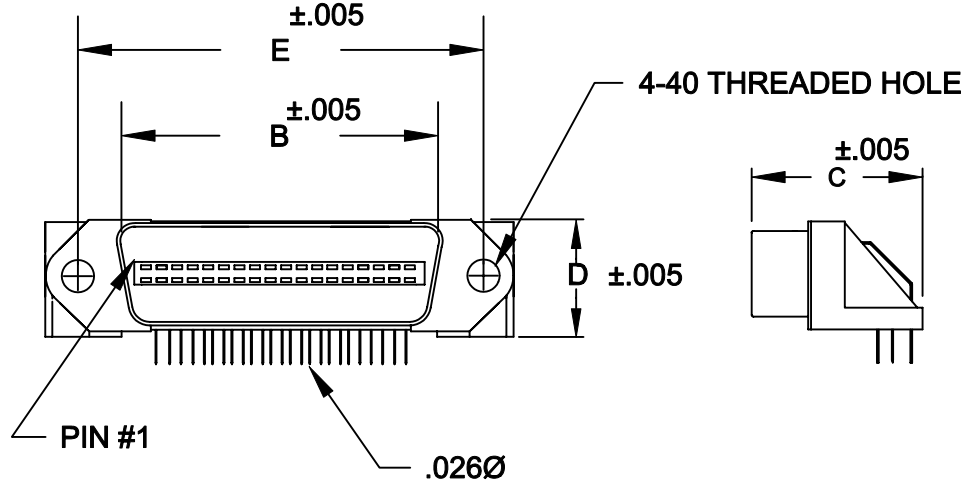
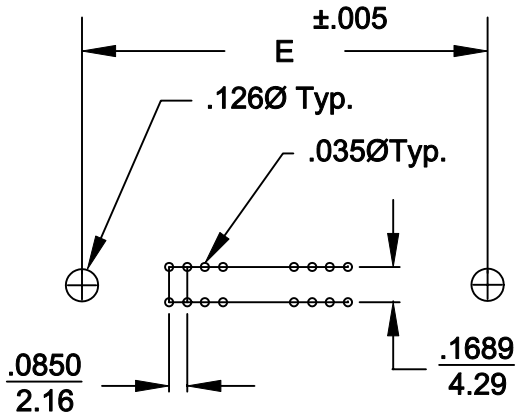
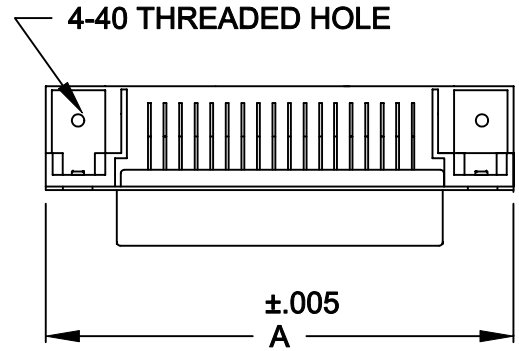


DESCRIPTION: .085" RIBBON R/A BOARD MOUNT

A B C D E

14	1.720 43.70	1.008 25.60	.984 25.00	.618 15.70	1.417 35.99
24	2.146 54.50	1.436 36.47	.984 25.00	.618 15.70	1.843 46.79
36	2.662 67.60	1.943 49.35	.984 25.00	.618 15.70	2.352 59.74
50	3.260 82.80	2.539 64.47	.984 25.00	.618 15.70	2.947 74.85



112-XXX-113R001

SERIES \_\_\_\_\_

POSITIONS \_\_\_\_\_

014

024

036

050

GENDER \_\_\_\_\_

1 = MALE

TERMINATION \_\_\_\_\_

1 = DIP SOLDER

SHELL PLATING \_\_\_\_\_

3 = NICKEL

HARDWARE OPTIONS \_\_\_\_\_

00 = 4-40 THREAD (PCB)

PLATING OPTIONS \_\_\_\_\_

01 = GOLD FLASH

**MATERIALS:**

INSULATOR: GLASS-FILLED THERMOPLASTIC  
 UL RATED 94V-0  
 CONTACTS: COPPER ALLOY  
 RoHS COMPLIANT

**ELECTRICALS:**

CONTACT CURRENT RATING: 5 AMPS  
 DIELECTRIC WITHSTANDING VOLTAGE: AC 1200 R.M.S.  
 INSULATION RESISTANCE: 1000 mohms MINIMUM AT 500V DC  
 CONTACT RESISTANCE: 30 mOHMS MAXIMUM  
 OPERATING TEMPERATURE: -55°C TO +125°C

	THESE DRAWINGS AND SPECIFICATIONS ARE THE PROPERTY OF NorComp AND SHALL NOT BE REPRODUCED, COPIED OR USED AS THE BASIS FOR THE MANUFACTURE OF SALE OF APPARATUS WITHOUT WRITTEN PERMISSION.		DRAWN: <b>WAYNE ROBBINS</b>	DATE: <b>7-12-05</b>
			CHECKED:	DATE:
<b>NorComp</b>		SCALE: 1:1	SHEET 1 OF 1	REV 1
		DWG NO. 112-XXX-113R001		